

DESIRE

**BOTH 2 & 4 STROKE 50QT-B BODY PARTS**

**1、灯具/仪表 LIGHT/SPEEDOMETER**

序号 Ser.No	ERP代号 Erp No.	代 号 Part No.	名 称	Description	数量 Qty
1	116013801	F50T-B-1601100A	前大灯(带E标)	Headlight assy	1
2	116013302	F50T-B-1601125A	前大灯灯泡12V/25W	Headlight bulb 12V/25W	2
3	116013303	F50T-B-1601127A	位置灯灯泡12V/5W	Sidelight bulb 12V/5W	2
4	116023802-1	F50T-B-1602200A	前右转向灯(带E标)	Turn signal light assy., Right, Front	1
5	116023805	F50T-B-1602112A	转向灯灯泡12V/10W	Turn signal light bulb 12V10W	4
6	116023801-1	F50T-B-1602100A	前左转向灯(带E标)	Turn signal light assy., Left, Front	1
7	117013801	F50T-B-1701000	仪表(普通/公英制)	Speedometer	1
8	117020901	F125T-B-1702000	里程表线(直筒碟刹)	Odometer cable	1
9	116023803-1	F50T-B-1602300A	后左转向灯(带E标)	Turn signal light assy, right, rear	1
10	116023804-1	F50T-B-1602400A	后右转向灯(带E标)	Turn signal light assy, left, rear	1
11	116033801-1	F50T-B-1603100A	后尾灯总成(豪华水晶款)(带E标)	Taillight Assy	1
12	116033802	F50T-B-1603106A	尾灯灯泡12V21W/5W	Taillight bulb 12V21W/5W	1

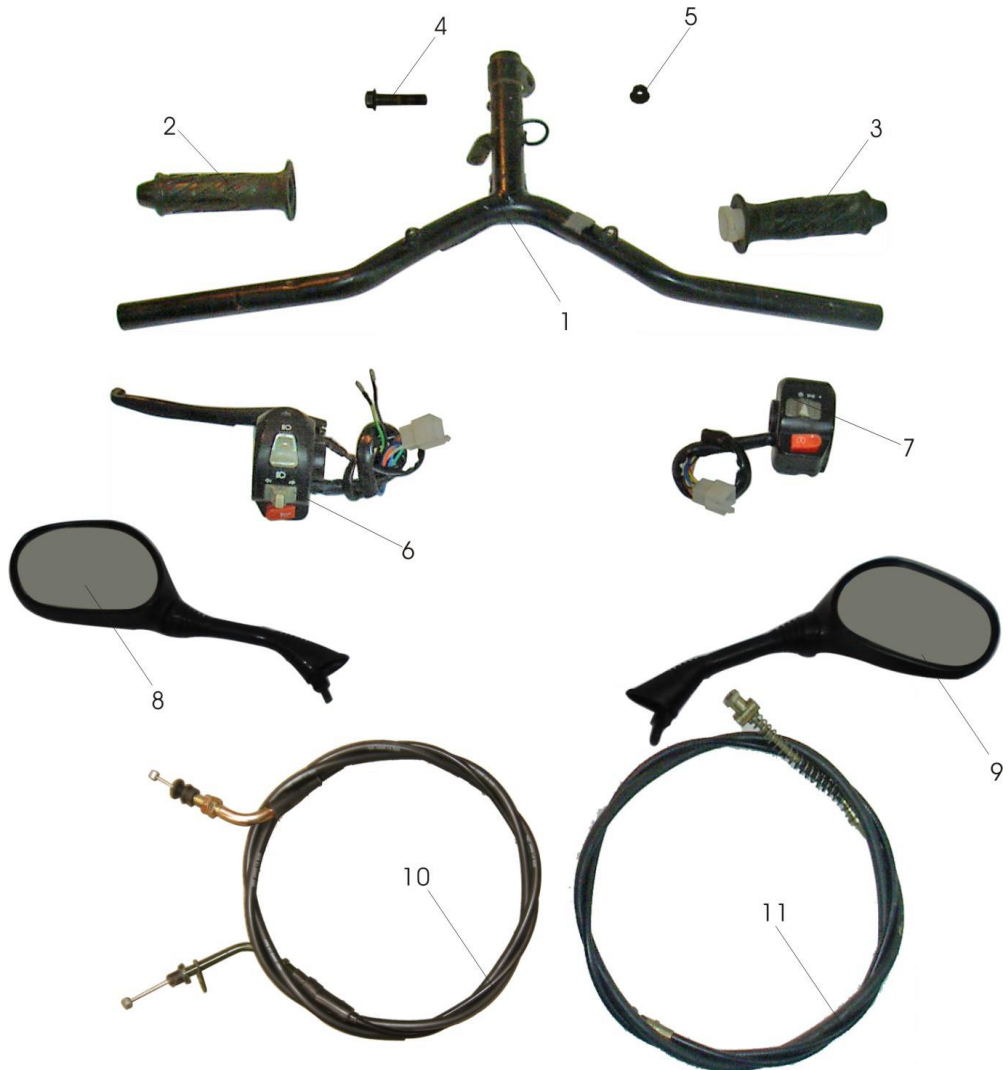




## 2、方向把/左右开关

## STEERING HANDLE/L&R SWITCHES

序号 Ser.No	ERP代号 ERP No.	代 号 Part No.	名 称	Description	数量 Qty
1	109013801	F50T-B-0901001	方向把	Handlebar	1
2	109033801	F50T-B-0903500	左胶套	Left handlebar grip	1
3	109023801	F50T-B-0902300	油门胶套	Right handlebar grip	1
4	130090108	GB5787	螺栓M10×1.25×45	Bolt M10×1.25×45	1
5	130090201	GB6177	螺母M10×1.25	Nut M10×1.25	1
6	115011701	F50T-8-1501100	左闸把座	Switch Assy, Left	1
7	115011702-2	F50T-8-1501200B	右闸把座	Switch Assy Right	1
8	109072401	F50T-9-0907100	左后视镜 (E标)	Left rearview mirror	1
9	109072402	F50T-9-0907200	右后视镜 (E标)	Right rearview mirror	1
10	109023802	F50T-B-0902100	油门线	Throttle cable	1
11	109062101	F50T-6-0906100	后刹车线	Rear brake cable	1



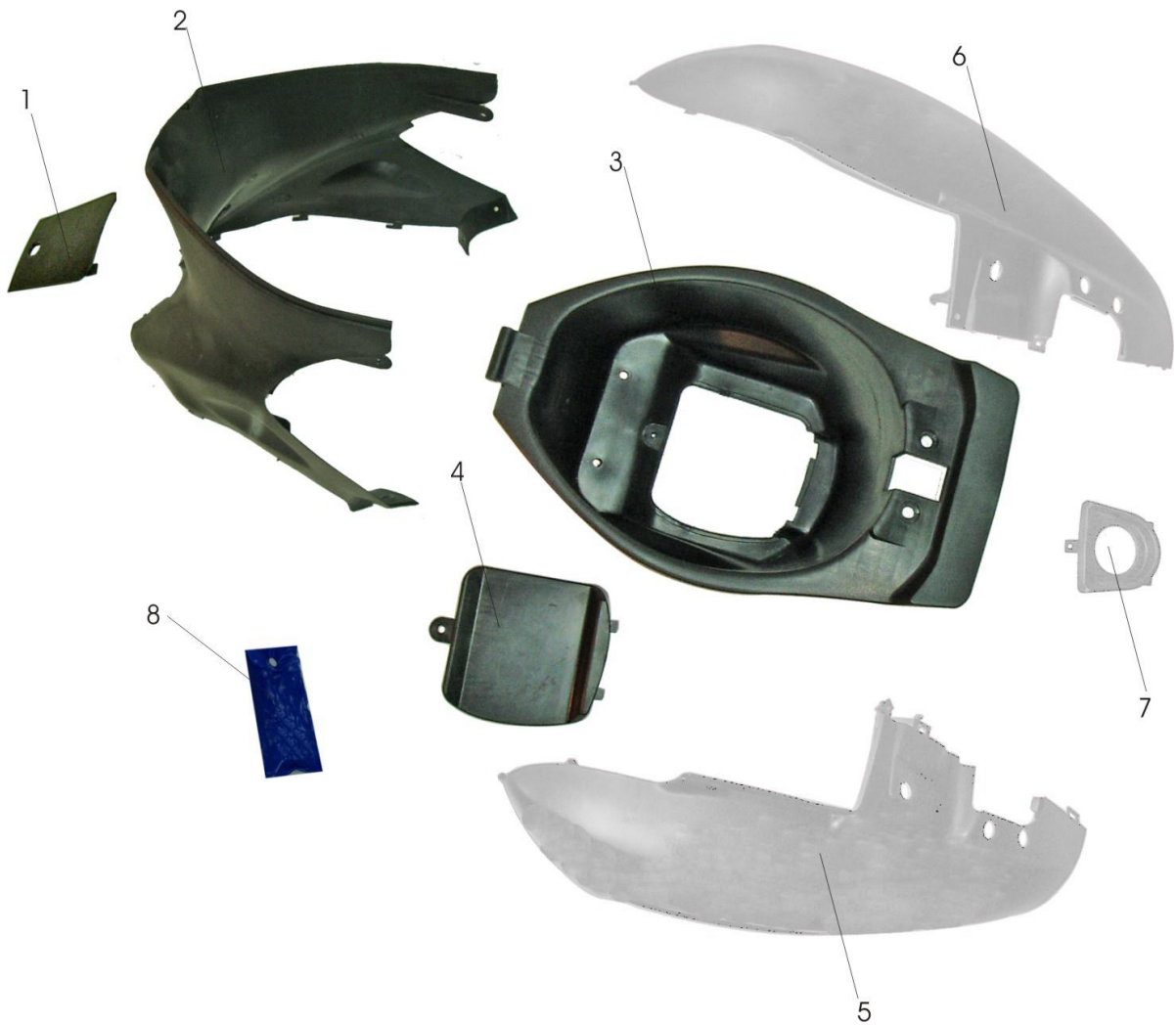
### 3、塑料件前部 FRONT PLASTIC PARTS

序号 Ser.No	ERP代号 Erp No.	代 号 Part No.	名 称	Description	数量 Q'ty
1	104023802	F50T-B-0402002	前导流罩	Front tip	1
2	104023801	F50T-B-0402022	手把上罩	speedometer cover	1
3	104023803	F50T-B-0402023	手把下罩	Down cover, steering handle	1
4	104013807	F50T-B-0401017	前置物箱	Front luggage box	1
5	104013814	F50T-B-0401019	号码盖	Frame number cover	1
6	104013815	F50T-B-0401084	头盔钩	Hanging hook for helmet	1
7	104013801	F50T-B-0401005	前面板	Front panel	1
8	104043801	F50T-B-0404026	前面板装饰件	Decoration plate, Front panel	1
9	104043802	F50T-B-0404002	车架前挡板	Front fender	1
10	104013804	F50T-B-0401023	车架挡泥板	Frame fender	1
11	104013808	F50T-B-0401020	脚踏板	Kick floor	1
12	104013813	F50T-B-0401021	电瓶盖A	Battery cover	1



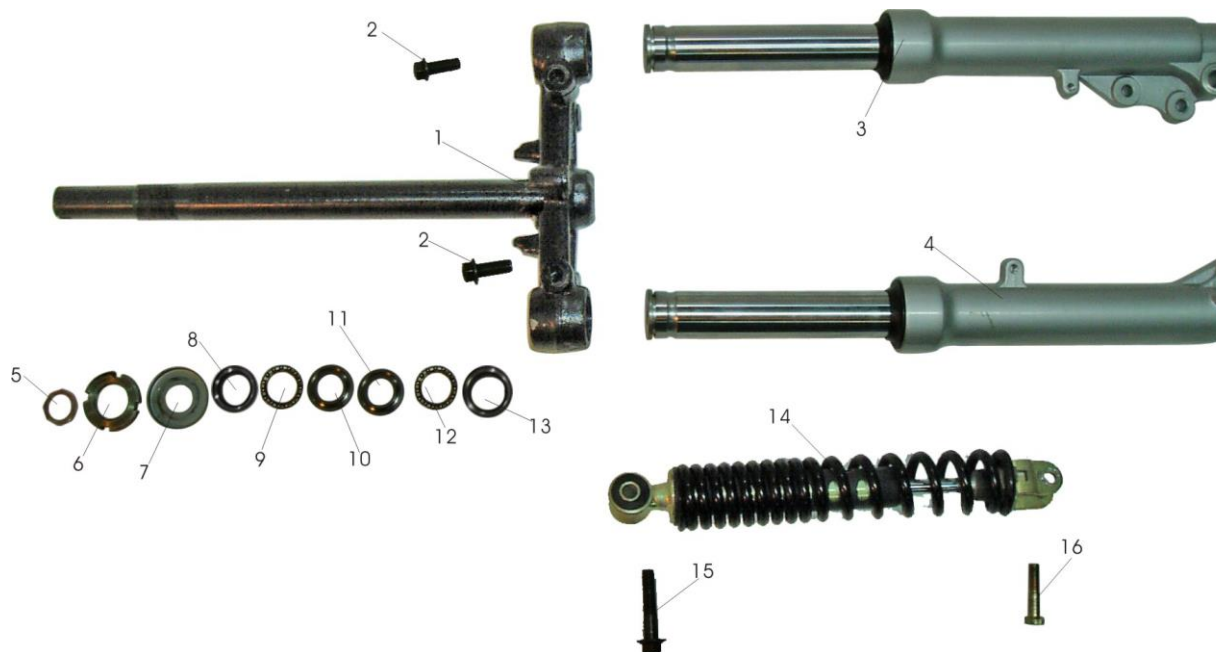
## 4、塑料件后部 REAR PLASTIC PARTS

序号 Ser.No	ERP代号 Erp No.	代 号 Part No.	名 称	Description	数量 Q'ty
1	104013810	F50T-B-0401068	杂物箱前罩小盖	Front cover lip of stuff box	1
2	104013809	F50T-B-0401024	杂物箱前罩	Stuff box front cover	1
3	104013811	F50T-B-0401013	杂物箱	Carrier box	1
4	104013812	F50T-B-0401025	杂物箱内盖B	Carrier box inner cover	1
5	104013803	F50T-B-0401010	右装饰板	Left decoration plate	1
6	104013802	F50T-B-0401009	左装饰板	Right decoration plate	1
7	104013806	F50T-B-0401042	后装饰板	Rear decorative plate	1
8	119002101	F50T-6-1900000	随车工具	Tools	1



## 5、前叉/减震 FRONT FORK/ABSORBER

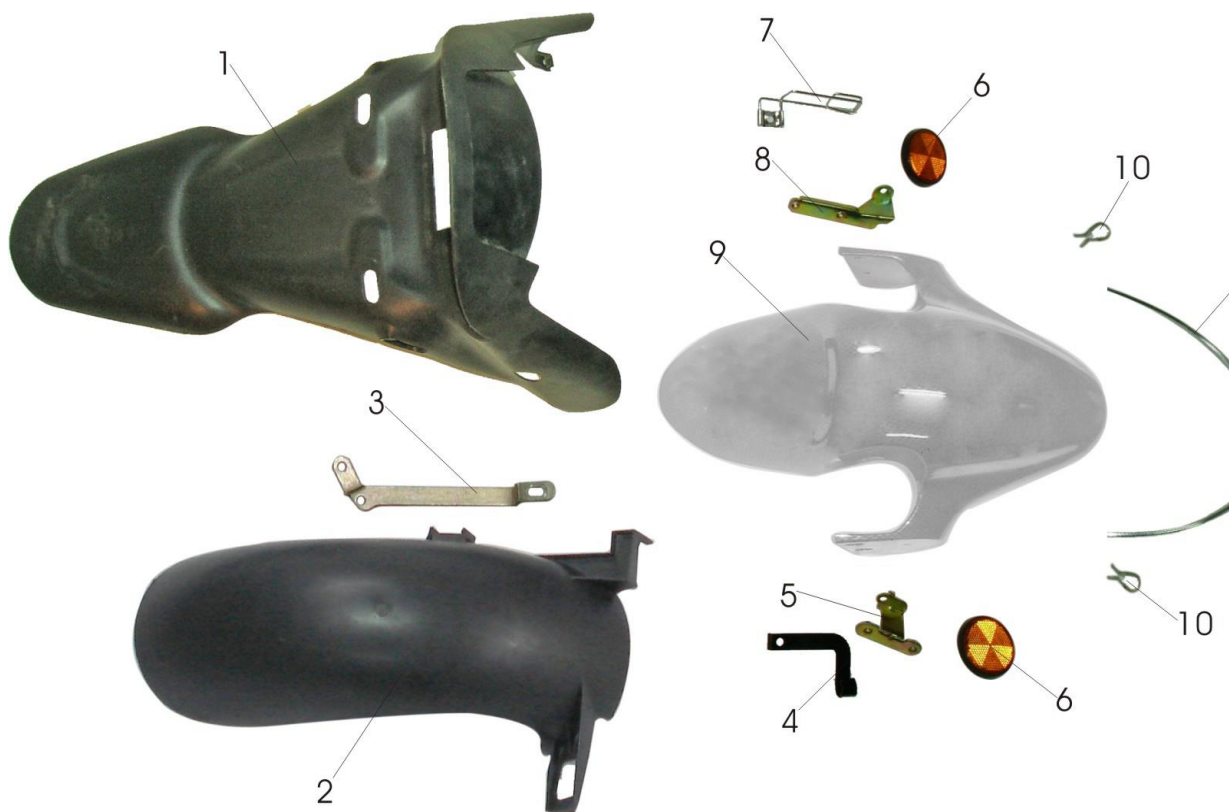
序号 Ser.No	ERP代号 Erp No.	代 号 Part No.	名 称	Description	数量 Q'ty
1	105063301	F125T-4-0506100	下联板（前减孔 $\phi 31$ ）	Lower connecting board Assy.	1
2	130090102	GB5787	螺栓M10 $\times$ 35	Bolt M10 $\times$ 35	2
3	105013301	F125T-4-0501000	前左减震器（长412柄管 $\phi 31$ ）	Shock absorber(Left, front)	1
4	105023301	F125T-4-0502000	前右减震器（长412柄管 $\phi 31$ ）	Shock absorber(Right, front)	1
5	105063809, 1	F50T-B-0506204	逆紧螺母	Self-lock nut	1
6	105063809, 2	F50T-B-0506209	锁紧螺母	Nut	1
7	105063809, 3	F50T-B-0506210	防尘圈	Dirt-proof washer	1
8	105063809, 4	F50T-B-0506303	上轴承座	Bearing pedestal (upper)	1
9	105063809, 5	F50T-B-0506307	上球珠保持架	Steel ball cage (upper)	1
10	105063809, 6	F50T-B-0506305	上外钢碗	Bracket cup(outer, upper)	1
11	105063809, 7	F50T-B-0506304	下轴承座	Bearing pedestal (lower)	1
12	105063809, 8	F50T-B-0506308	下球珠保持架	Steel ball cage(lower)	1
13	105063809, 9	F50T-B-0506306	下外钢碗	Bracket cup(outer, lower )	1
14	106011701	F50T-8-0601000A	后减震(中心距275/弹簧黑色)	Rear shock absorber	1
15	130090103	GB5787	螺栓M10 $\times$ 1.25 $\times$ 40	Bolt M10 $\times$ 1.25 $\times$ 40	1
16	130090104	GB5787	螺栓M8 $\times$ 32	Bolt M8 $\times$ 32	1





## 6、前后挡泥板 FRONT REAR FENDER

序号 Ser.No	ERP代号 Erp No.	代 号 Part No.	名 称	Description	数量 Qty
1	104053801	F50T-B-0405001	后挡泥板	Rear fender	1
2	104052401	F50T-9-0405009	后轮挡泥板	Rear wheel fender(enlarged)	1
3	104052402	F50T-9-0405002	后泥板支架	Rear wheel fender stand B(enlarged)	1
4	1800084	F50T-8-0801202	油管夹子	Disc brake tube clip	1
5	104043803	F50T-B-0404022-01	前泥板左支架	Front fender bracket, left	1
6	116062402	F50T-9-1606100	侧反射器 (E标/DOT标)	Side reflector assy	1
7	117020902	F125T-B-1702101	里程线线夹	Clutch clip	1
8	104043804	F50T-B-0404022-02	前泥板右支架	Front fender bracket, right	1
9	104013805	F50T-B-0401006	前轮挡泥板	Front fender(front)	1
10	111013503	F125-XFR-1101012	油箱装饰条卡箍	Decoration strip clamp	2
11	111013502	F125-XFR-1101011	油箱装饰条	Decorative strip	1



## 7、前后轮/前后制动 FRONT REAR WHEEL/FRONT REAR BF

序号 Ser.No	ERP代号 Erp No.	代 号 Part No.	名 称	Description	数量 Q'ty
1	108013801	F50T-B-0801000	碟刹总成	Front disc brake Assy	1
2	1800083	F50T-8-0801113	手柄安装螺栓	Bolt, Installing disc plate	1
3	1800082	F50T-8-0801107	碟刹手柄	handle lever	1
4	107023801	F50T-B-0702201	后铝轮(19齿三筋12"轮)	Rear aluminum wheel	1
5	130090203	GB6187	螺母M16×1.5	Nut M16×1.5	1
6	107012402	F50T-9-0701404	真空胎(120/70-12)(正新)	Vacuum tyre 120/70-12	2
7	108040801	F125T-9-0804111	刹车蹄块	Brake shoe unit	1
8	1800050	F50T-6-0701406	气门芯	Air valve	2
9	130090202	GB6177	螺母 M12×1.25	Nut M12×1.25	1
10	107013801	F50T-B-0701000	传动盒(速比20/10)	Gear odometer (20:10)	1
11	107013803	F50T-B-0701210	前轮衬套(Φ20*Φ12*17)	Front wheel bush(L: 17)	1
12	107010806	F125T-9-0701208	前轮轴12*225	Front wheel axle	1
13	107013802	F50T-B-0701201	前铝轮(三筋12"轮)	Front aluminum wheel	1
14	1800080	F50T-8-0801501	碟刹盘	Brake disc plate	1
15	1800081	F50T-8-0801503	碟刹盘安装螺钉	Screw, Installing disc plate	3
16	130090204	GB5787	螺栓M8×35	Bolt M8×35	2
17	107012113	F50T-6-0701216	前轮轴橡胶帽(对边17)	rubber cap for front wheel axle(17)	1
18	107012112	F50T-6-0701215	前轮轴橡胶帽(对边14)	rubber cap for front wheel axle(14)	1





## 8、油箱/座垫 OIL TANK/SEAT

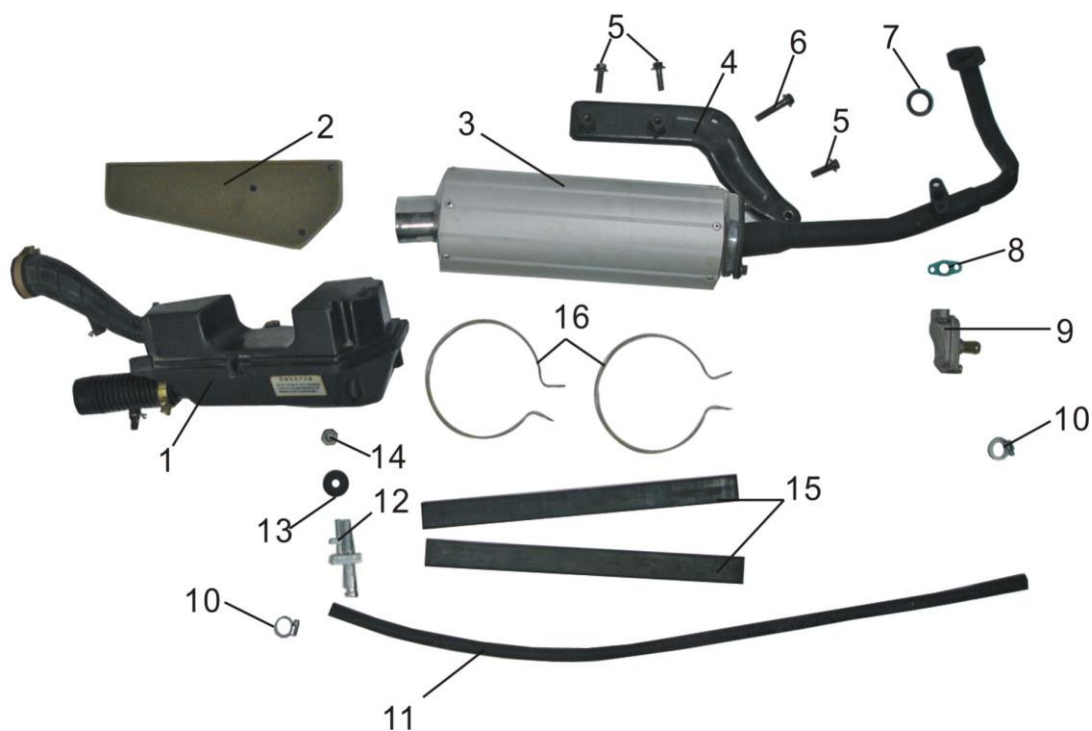
序号 Ser.No	ERP代号 Erp No.	代 号 Part No.	名 称	Description	数量 Q'ty
1	113013801	F50T-B-1301100	座垫(黑色)	Seat Assy (black)	1
2	115063801	F50T-B-1506402	座垫锁座	Seat lock bracket	1
3	115061002	F125T-A-1506403	座垫拉线	Seat lock lever	1
4	114013802	F50T-B-1401001	载物架支座 (大货架型)	Bracket supporting rear rack	1
5	115053801	F50T-B-1105100	油位传感器	Fuel sensor	1
6	111013801	F50T-B-1101100	油箱 (传感器四孔式)	Fuel tank	1
7	11040801	F125T-9-1104000	燃油过滤器	Filter	1
8	111060804	F125T-9-1106004	油管卡箍 $\phi 4$	Clip $\phi 4$	6
9	111060801	F50T-B-1106001	上油管	Fuel pipe	1
10	111031301	F150T-1103000	放油开关	Gasoline draining on-off	1
11	111060801	F50T-B-1106002	下油管A	Fuel pipe	1
12	111060803	F50T-B-1106003	负压管	Negative pressure pipe	1
13	111060805	F125T-9-1106005	油管卡箍 $\phi 3.8$	Clip $\phi 3.8$	2
14	111060801	F50T-B-1106006	下油管B	Fuel pipe	1





## 9、空滤器/消声器 AIR CLEANER /MUFFLER

序号 Ser.No	ERP代号 Erp No.	代 号 Part No.	名 称	Description	数量 Q'ty
1	6010120-1	F50T-9-0102000	空滤器 (E标)	Air cleaner Assy	1
2	6020136-1	F50T-6-0102201	空滤器滤芯	Air cleaner element	1
3	102012401	F50T-9-0201000	排气消声器 (E标)	Muffler assy	1
4	102062101	F50T-6-0206100	消声器挂接板	Muffler connecting board	1
5	130090205	GB5787	螺栓M8×25	Bolt M8×25	3
6	130090109	GB5787	螺栓M8×40	Bolt M8×40	1
7	102072101	F50T-6-0207003	排气管密封垫	Exhaust rubber washer	1
8	101000813	F125T-9-0100603	踏板车补气装置密封垫	Air-supplying device gasket	1
9	101000809	F125T-9-0100601	踏板车一体化补气装置	Integrated air-supplying device	1
10	101000139	F125-10B-0100607	连接管卡子(大)	Joint tube clamp (big)	2
11	101000811	F125T-9-0100602	胶管 I	Rubber tube I	1
12	101000127	F125-10B-0102701	空滤器连接螺栓	Air cleaner joint bolt	1
13	101000128	F125-10B-0102702	螺栓密封垫片	Bolt gasket	1
14	130090207	GB6177	螺母M10×1.5	Nut M10×1.5	1
15	102072301	F50T-6-0207006	消声器缓冲胶垫	Rubber buffer of muffler	2
16	102072302	F50T-6-0207007	消声器安装夹箍	Installing clip of muffler	2



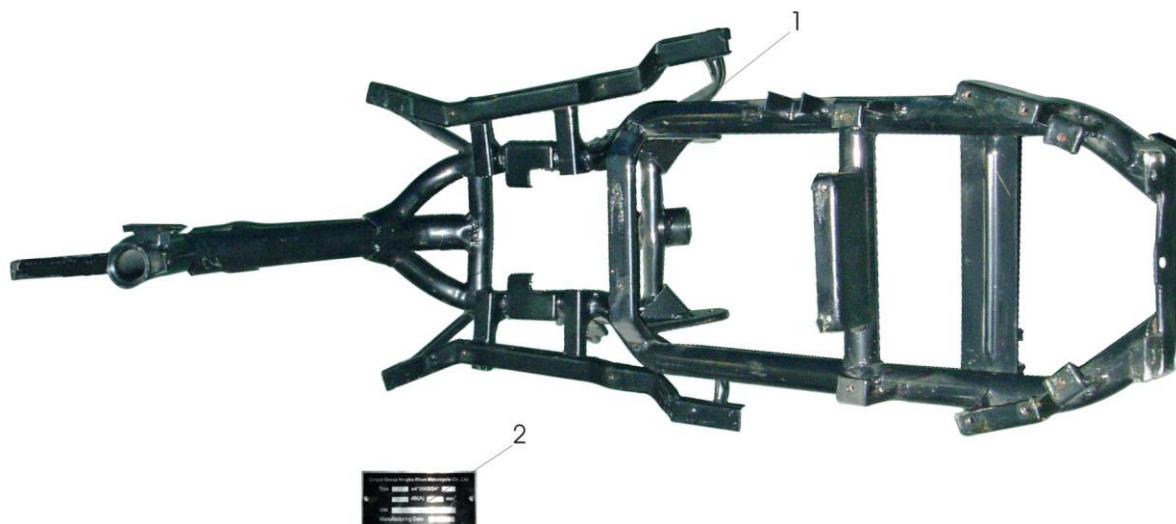
## 10、支架/吊挂 STAND/HANGING BRACKET

序号 Ser.No	ERP代号 Erp No.	代 号 Part No.	名 称	Description	数量 Q'ty
1	114013801	F50T-B-1401000	铝合金后货架	Rear rack	1
2	130090109	GB70	螺栓M8×40	Bolt M8×40	2
3	103032102	F50T-6-0303202	双撑轴8×175	Main stand axle(10×78)	1
4	103033802	F50T-B-0303203	双撑限位胶块	Main stand buffer block	1
5	103032605	F50T-5A-0303205A	双撑弹簧 (83/双丝)	Main stand spring	1
6	103033801	F50T-B-0303100	双撑	Main stand	1
7	103052104	F50T-6-0305104	吊挂缓冲橡胶	Rubber case	2
8	103053801	F50T-B-0305100	动力吊架	Engine hanging bracket	1
9	103052101	F50T-6-0305103	动力吊挂轴10×235	hanging bracket installing axle	2
10	130090201	GB6177	螺母M10×1.25	Nut M10×1.25	2
11	103043802	F50T-B-0304204A	单撑螺栓(自动复位)	Side stand bolt	1
12	103043801	F50T-B-0304100	单撑 (普通型)	Side stand	1
13	103042604	F50T-5A-0304201A	单撑弹簧 (83/双丝)	Side stand spring	1
14	103032401	F50T-9-0303208	单撑自动复位挂钩	Automatic resetting hook, side stand	1
15	103052301	F50T-6-0305109	发动机悬挂轴10×205	Engine suspension axle 10×205	1
16	103052103	F50T-6-0305101	吊挂衬套16×10×78	Lining 16×10×78	1
17	130090111	GB70	螺栓M8×45	Bolt M8×45	2



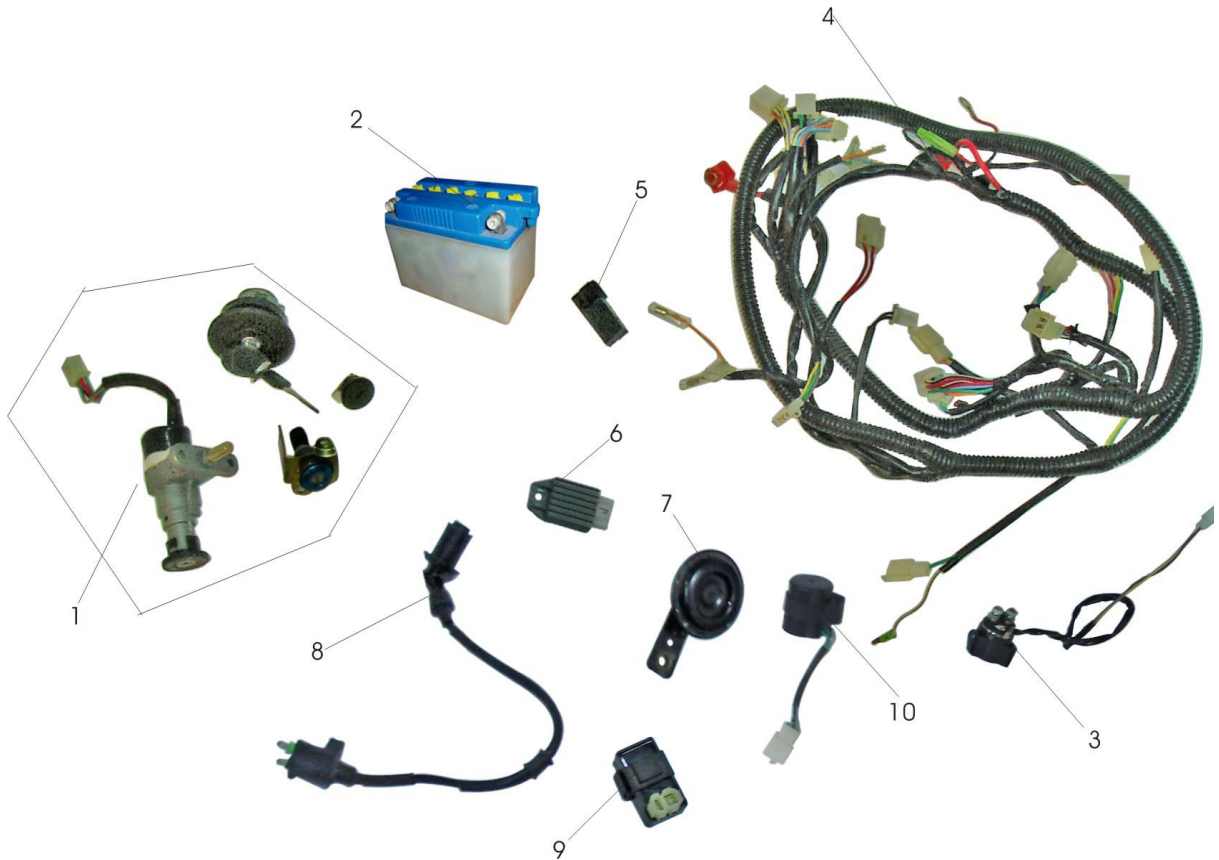
# 11、车架 FRAME

序号 Ser.No	ERP代号 Erp No.	代 号 Part No.	名 称	Description	数量 Q'ty
1	103013801	F50T-B-0301000	车架（单减、单撑自动复位）	Frame	1
2	118022403	F50T-9-1802004	车架铭牌(通用)	Frame nameplate	1



## 12、电器 ELECTRIC APPLIANCES

序号 Ser.No	ERP代号 Erp No.	代 号 Part No.	名 称	Description	数量 Q'ty
1	115063802	F50T-B-1506000	套锁 (4件/套)	Lock Assy.	1
2	115032402	F50T-9-1503100A	电瓶(国产) (12V7Ah)	Battery(12V7Ah)	1
	115032403	F50T-9-1503100	电瓶(进口) (12V7Ah)	Battery(12V7Ah)	1
3	115040804	F125T-9-1504100	起动继电器	Relay Assy	1
4	115053801	F50T-B-1505100	电缆(正负极线)	Wire harness	1
5	115040802	F125T-9-1504900	过流保护器	Overcurrent protector	1
6	115042104	F50T-6-1504500	整流器	Rectifier	1
7	115022401	F50T-9-1502100	踏板车喇叭(E认证)	Horn Assy	1
8	115042101	F50T-6-1504200	点火线圈	Ignition coil	1
9	115042102	F50T-6-1504400	点火器	C. D. I	1
10	115042401	F50T-9-1504300	闪光器 (双频)	Flasher	1







备注
同直筒凌鹰

备注
同小帅哥
同小帅哥
同四冲光阳

备注
B09型
B08型
B09型
B09型

1











# RAKE

备注
银色/亮边
配三筋轮
同摇臂碟刹大盗
银色/亮边

备注
同公主款
同猎鹰









备注
可选
自打E标识

